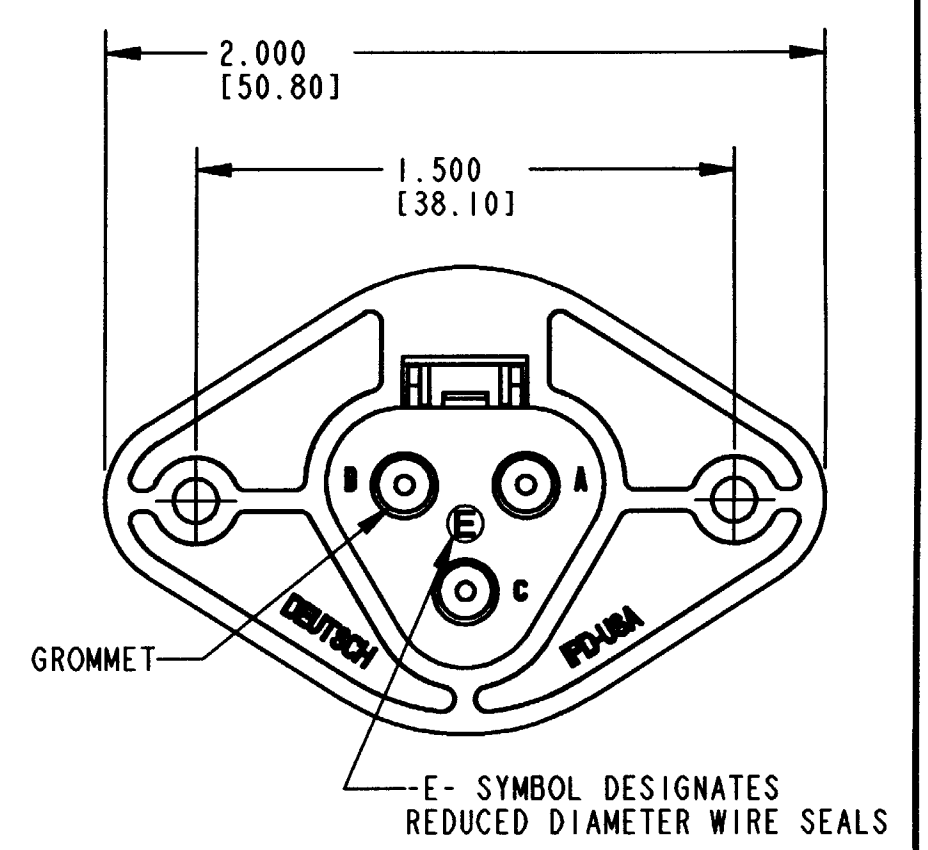


REV  
NC DT06-3S-CL08

REVISIONS			
SYM	DESCRIPTION	DATE	APPROVED
NC	NEW RELEASE PER E.O. P18573	6-16-04	RDR



DATE CODE: MONTH IS REPRESENTED BY SEQUENTIAL ALPHA CHARACTERS. EX: A = JANUARY  
YEAR IS REPRESENTED BY THE LAST NUMERICAL DIGIT. EX: 4 = 2004

- 6. MATERIAL: SHELL: PLASTIC; COLOR: BLACK  
SEAL: RUBBER
- 5. THIS PLUG MATES WITH THE DT04-3P-\*\*\*\* RECEPTACLE (\*\*\*\* = ALL MODIFICATIONS). CONSULT FACTORY FOR MODIFICATIONS.

CONTACT SIZE	MIN. INSUL. O.D.	MAX. INSUL. O.D.	WIRE RANGE [mm <sup>2</sup> ] $\Delta$
16	.053 [1.35]	.120 [3.05]	14-20 AWG [2.0-0.5]

- NOTES:
- 1. ALL DIMENSIONS ARE IN INCHES [MILLIMETERS].
  - 2. ALL DIMENSIONS ARE  $\pm .025$  [0.64] UNLESS OTHERWISE SPECIFIED.
  - 3. WEDGE LOCK W3S-P012 SOLD SEPARATELY.
  - 4.  $\Delta$  FOR CONTACTS AND WIRE PERFORMANCE AND APPLICATION CHARACTERISTICS SEE ENVELOPE DRAWING 0425-015-0000 AND 0425-017-0000.

SIGNATURE & DATE	
DR	X. SANCHEZ 11MAY04
CHK	<i>[Signature]</i> 6/15/04
PE	<i>[Signature]</i>
APPD	R. Reed 6-16-04
SCALE	NONE
WT	

3 WAY PLUG WITH FLANGE DISABLED LATCH -CL08 MOD. D.T. SERIES

ENVELOPE

CP	MATL. CODE
<b>The Deutsch Company</b> DEUTSCH I.P.D. 3850 INDUSTRIAL AVE. HEMET, CALIF. 92545	
<b>B</b>	<b>DT06-3S-CL08</b>
DWG. SIZE	CODE 11139 SHEET 1 OF 1